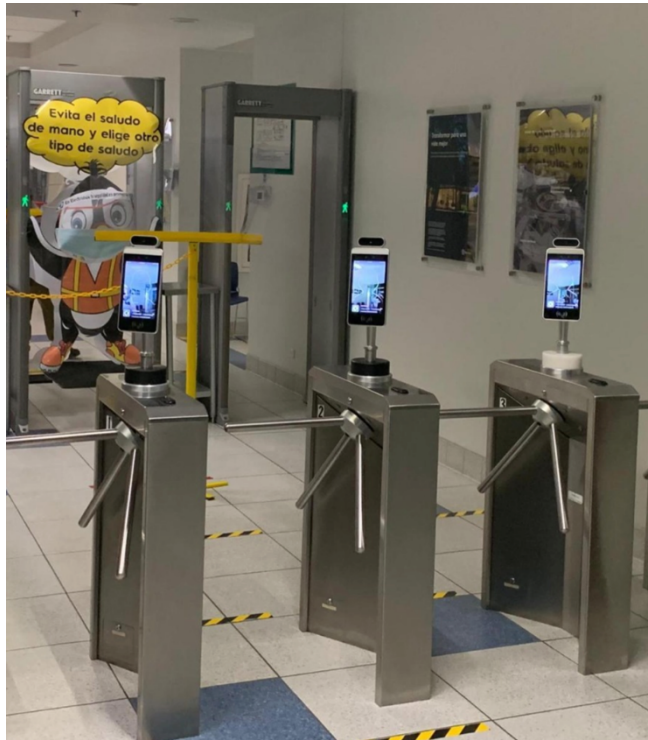


HORNBIRD SMART TURNSTILE

Facial-Finger Print Recognition + IC CARD

TRIPOD TURNSTILE



The electronic tripod turnstile, which is an electric control mechanism installed in the building structure, is used to form an access control system. The rotation unit consists of three tubular arms which are positioned at 120° intervals so that when the unit is at rest, one arm will always be in the horizontal position (Barrier position). The movement of the rotation unit can be realized by

pushing arms lightly. If arm rotates more than a settled position, the elastic potential energy will drive the rotation unit to complete the whole process of rotation.

It integrates Face and Fingerprint Recognition, QR, RFID, IC and magnetic card and widely used in construction, park and railway station.

EL128



FEATURES AND BENEFITS

All turnstile models are space efficient security barriers, with a compact design, yet offer sufficient space to integrate any access control system. They can be mounted with display, passage counter, card reader, token operation traffic lights, command console, alarm system against unauthorized entries, The unique dropping arm feature provides a fail safety solution in case of an emergency or power failure, providing egress in case of crisis evacuations. Durability with minimal maintenance means years and millions of trouble free passages. The turnstile creates a secure environment in. for example, a reception area. Our turnstiles are used in different applications including stadiums and arenas, perimeter and interior security, recreation and amusement parks, retail crowd control, transit fare collection and lobby access control.

OPERATING MODES

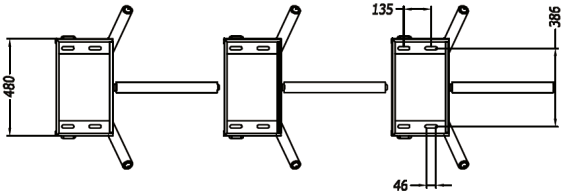
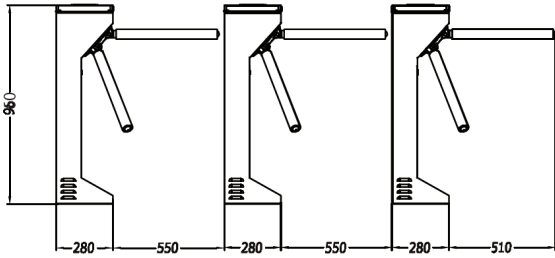
- Single passage in the set direction
- Bi-directional single passage
- Free passage in the set direction
- Always free or locked

MATERIALS

- Housing: In stainless steel AISI 304 or AISI316.
- Barrier arm- stainless steel bar.

FEATURES AND BENEFITS

- Use of RFID IC cards, ID cards, Barcode or magnetic cards as automatic identification system and achieve access attendance, fees or function.
- A direction indicator showed that the pedestrian access to the current status and guide pedestrian correctly and in smooth passage.
- Semi-auto mode: After reading card the passenger pushes the arm by hand until he goes through the barriers and the arm arrives in home position.
- Full-auto mode: The passenger pushes the arm at a little strength after reading card, and the arm will automatically rotate forward by motor power until the arm arrives in home position.
- Pure mechanical mode: The passenger pushes the arm by hand until he goes through the barriers.
- Single or bi-directional function in mechanical and electrical versions.
- Automatic reset of barrier arms after each passage.
- Cable or wireless remote control panel key override control for emergency situations. Automatically arm drop down when power off or emergency.
- Adjustable time out delay.



Technical Data	Unit	EL128
Passage width	mm	≤550
Throughput rate	p/m	35
Power supply	V/(ac)	100-240
Operational voltage	V/(dc)	24
Max power consumption	w	35
Frequency	hz	50-60
Protection level	IP	>44
Working temperature	degree	-25 to +70
Dimension excluding bars	mm	480*280*960
Net weight including bars	Kg	42

EL128	CIF PRICE	TOTAL
	HK\$	HK\$
10 PCS	5,300	53,000
INSTALLATION+TRANSPORT		21,000
TRAINING		15,000
TM82-IC CAMERA FACE RECOGNITION, TEMPERATURE WITH IC CARD	7,700 X 10	77,000
TOTAL		166,000

YL121A



Tripod turnstile YL121

All turnstile models are space efficient security barriers, with a compact design, yet offer sufficient space to integrate any access control system. They can be mounted with display, passage counter, card reader, token operation traffic lights, command console, alarm system against unauthorized entries, The unique dropping arm feature provides a fail safety solution in case of an emergency or power failure, providing egress in case of crisis evacuations. Durability with minimal maintenance means years and millions of trouble free passages. The turnstile creates a secure environment in. for example, a reception area. Our turnstiles are used in different applications including stadiums and arenas, perimeter and interior security, recreation and amusement parks, retail crowd control, transit fare collection and lobby access control.

OPERATING MODES

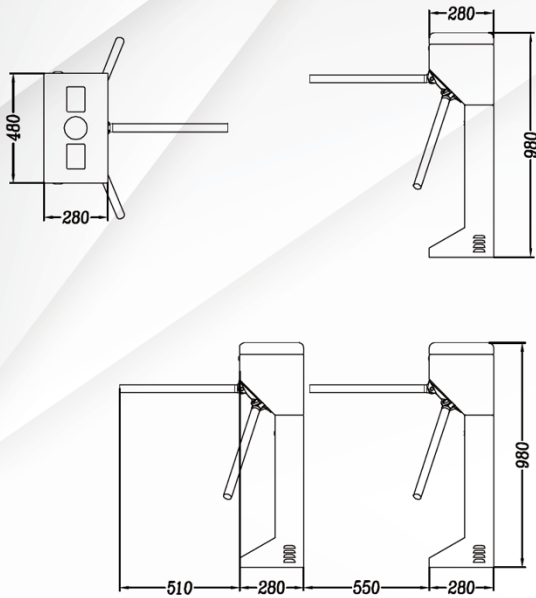
- Single passage in the set direction
- Bi-directional single passage
- Free passage in the set direction
- Always free or locked

MATERIALS

- Housing: In stainless steel AISI 304 or AISI316.
- Barrier arm- stainless steel bar.

FEATURES AND BENEFITS

- Use of RFID IC cards, ID cards, Barcode or magnetic cards as automatic identification system and achieve access attendance, fees or function.
- A direction indicator showed that the pedestrian access to the current status and guide pedestrian correctly and in smooth passage.
- Semi-auto mode: After reading card the passenger pushes the arm by hand until he goes through the barriers and the arm arrives in home position.
- Full-auto mode: The passenger pushes the arm at a little strength after reading card, and the arm will automatically rotate forward by motor power until the arm arrives in home position.
- Pure mechanical mode: The passenger pushes the arm by hand until he goes through the barriers.
- Single or bi-directional function in mechanical and electrical versions.
- Automatic reset of barrier arms after each passage.
- Cable or wireless remote control panel key override control for emergency situations. Automatically arm drop down when power off or emergency.
- Adjustable time out delay.



Technical Data	Unit	YL121
Passage width	mm	≤550
Throughput rate	p/m	35
Power supply	V/(ac)	100-240
Operational voltage	V/(dc)	24
Max power consumption	w	35
Frequency	hz	50-60
Protection level	IP	>44
Working temperature	degree	-25 to +70
Dimension excluding bars	mm	480*280*980
Net weight including bars	Kg	36

YL121A	CIF PRICE	TOTAL
	HK\$	HK\$
10 PCS	6,400	64,000
INSTALLATION+TRANSPORT		21,000
TRAINING		15,000
TM82-IC CAMERA FACE RECOGNITION, TEMPERATURE WITH IC CARD	7,700 X 10	77,000
TOTAL		177,000

E142



Tripod turnstile E142

All turnstile models are space efficient security barriers, with a compact design, yet offer sufficient space to integrate any access control system. They can be mounted with display, passage counter, card reader, token operation traffic lights, command console, alarm system against unauthorized entries. The unique dropping arm feature provides a fail safety solution in case of an emergency or power failure, providing egress in case of crisis evacuations. Durability with minimal maintenance means years and millions of trouble free passages. The turnstile creates a secure environment in. for example, a reception area. Our turnstiles are used in different applications including stadiums and arenas, perimeter and interior security, recreation and amusement parks, retail crowd control, transit fare collection and lobby access control.

OPERATING MODES

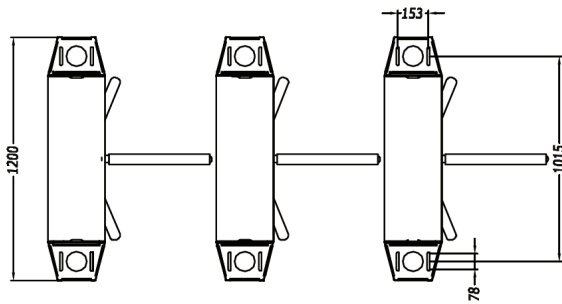
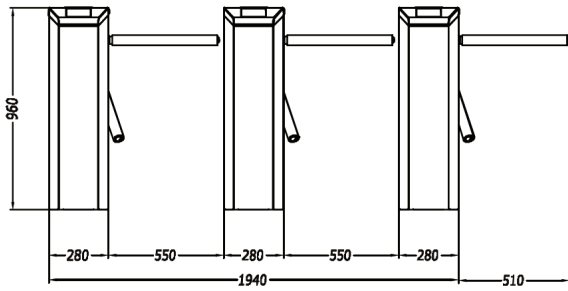
- Single passage in the set direction
- Bi-directional single passage
- Free passage in the set direction
- Always free or locked

MATERIALS

- Housing: In stainless steel AISI 304 or AISI316.
- Barrier arm- stainless steel bar.

FEATURES AND BENEFITS

- Use of RFID IC cards, ID cards, Barcode or magnetic cards as automatic identification system and achieve access attendance, fees or function.
- A direction indicator showed that the pedestrian access to the current status and guide pedestrian correctly and in smooth passage.
- Semi-auto mode: After reading card the passenger pushes the arm by hand until he goes through the barriers and the arm arrives in home position.
- Full-auto mode: The passenger pushes the arm at a little strength after reading card, and the arm will automatically rotate forward by motor power until the arm arrives in home position.
- Pure mechanical mode: The passenger pushes the arm by hand until he goes through the barriers.
- Single or bi-directional function in mechanical and electrical versions.
- Automatic reset of barrier arms after each passage.
- Cable or wireless remote control panel key override control for emergency situations. Automatically arm drop down when power off or emergency.
- Adjustable time out delay.



Technical Data	Unit	E142
Passage width	mm	≤550
Throughput rate	p/m	35
Power supply	V/(ac)	100-240
Operational voltage	V/(dc)	24
Max power consumption	w	50
Frequency	hz	50-60
Protection level	IP	>44
Working temperature	degree	-25 to +70
Dimension excluding bars	mm	1200*280*960
Net weight including bars	Kg	35

E142	CIF PRICE	TOTAL
	HK\$	HK\$
10 PCS	6,900	69,000
INSTALLATION		21,000
TRAINING		15,000
TM82-IC CAMERA FACE RECOGNITION, TEMPERATURE WITH IC CARD	7,700 X 10	77,000
TOTAL		182,000

Y148A



Tripod turnstile Y148

All turnstile models are space efficient security barriers, with a compact design, yet offer sufficient space to integrate any access control system. They can be mounted with display, passage counter, card reader, token operation traffic lights, command console, alarm system against unauthorized entries, The unique dropping arm feature provides a fail safety solution in case of an emergency or power failure, providing egress in case of crisis evacuations. Durability with minimal maintenance means years and millions of trouble free passages. The turnstile creates a secure environment in. for example, a reception area. Our turnstiles are used in different applications including stadiums and arenas, perimeter and interior security, recreation and amusement parks, retail crowd control, transit fare collection and lobby access control.

OPERATING MODES

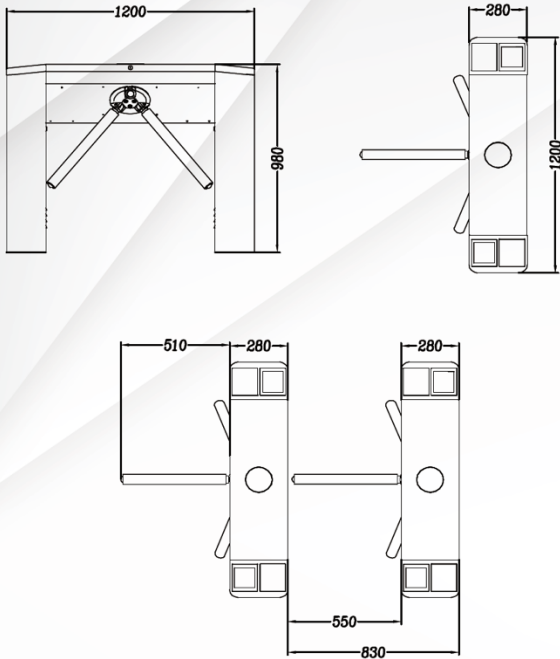
- Single passage in the set direction
- Bi-directional single passage
- Free passage in the set direction
- Always free or locked

MATERIALS

- Housing: In stainless steel AISI 304 or AISI316.
- Barrier arm- stainless steel bar.

FEATURES AND BENEFITS

- Use of RFID IC cards, ID cards, Barcode or magnetic cards as automatic identification system and achieve access attendance, fees or function.
- A direction indicator showed that the pedestrian access to the current status and guide pedestrian correctly and in smooth passage.
- Semi-auto mode: After reading card the passenger pushes the arm by hand until he goes through the barriers and the arm arrives in home position.
- Full-auto mode: The passenger pushes the arm at a little strength after reading card, and the arm will automatically rotate forward by motor power until the arm arrives in home position.
- Pure mechanical mode: The passenger pushes the arm by hand until he goes through the barriers.
- Single or bi-directional function in mechanical and electrical versions.
- Automatic reset of barrier arms after each passage.
- Cable or wireless remote control panel key override control for emergency situations. Automatically arm drop down when power off or emergency.
- Adjustable time out delay.



Technical Data	Unit	Y148
Passage width	mm	≤550
Throughput rate	p/m	35
Power supply	V/(ac)	100-240
Operational voltage	V/(dc)	24
Max power consumption	w	35
Frequency	hz	50-60
Protection level	IP	>44
Working temperature	degree	-25 to +70
Dimension excluding bars	mm	1200*280*980
Net weight including bars	Kg	42

Y148A	CIF PRICE	TOTAL
	HK\$	HK\$
10 PCS	7,800	78,000
INSTALLATION		21,000
TRAINING		15,000
TM82-IC CAMERA FACE RECOGNITION, TEMPERATURE WITH IC CARD	7,700 X 10	77,000
TOTAL		191,000

X105



Tripod turnstile X105

All turnstile models are space efficient security barriers, with a compact design, yet offer sufficient space to integrate any access control system. They can be mounted with display, passage counter, card reader, token operation traffic lights, command console, alarm system against unauthorized entries, The unique dropping arm feature provides a fail safety solution in case of an emergency or power failure, providing egress in case of crisis evacuations. Durability with minimal maintenance means years and millions of trouble free passages. The turnstile creates a secure environment in. for example, a reception area. Our turnstiles are used in different applications including stadiums and arenas, perimeter and interior security, recreation and amusement parks, retail crowd control, transit fare collection and lobby access control.

OPERATING MODES

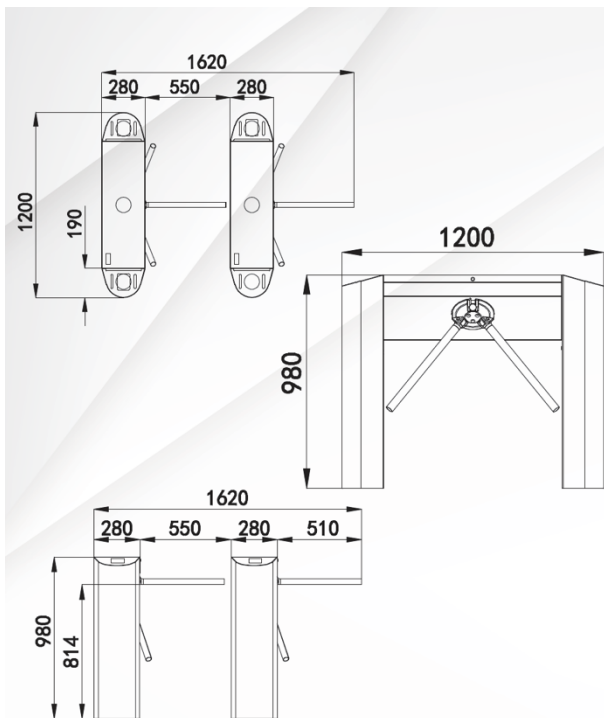
- Single passage in the set direction
- Bi-directional single passage
- Free passage in the set direction
- Always free or locked

MATERIALS

- Housing: In stainless steel AISI 304 or AISI316.
- Barrier arm- stainless steel bar.

FEATURES AND BENEFITS


- Use of RFID IC cards, ID cards, Barcode or magnetic cards as automatic identification system and achieve access attendance, fees or function.
- A direction indicator showed that the pedestrian access to the current status and guide pedestrian correctly and in smooth passage.
- Semi-auto mode: After reading card the passenger pushes the arm by hand until he goes through the barriers and the arm arrives in home position.
- Full-auto mode: The passenger pushes the arm at a little strength after reading card, and the arm will automatically rotate forward by motor power until the arm arrives in home position.
- Pure mechanical mode: The passenger pushes the arm by hand until he goes through the barriers.
- Single or bi-directional function in mechanical and electrical versions.
- Automatic reset of barrier arms after each passage.
- Cable or wireless remote control panel key override control for emergency situations. Automatically arm drop down when power off or emergency.
- Adjustable time out delay.



Technical Data	Unit	X105
Passage width	mm	≤550
Throughput rate	p/m	35
Power supply	V/(ac)	100-240
Operational voltage	V/(dc)	24
Max power consumption	w	35
Frequency	hz	50-60
Protection level	IP	>44
Working temperature	degree	-25 to +70
Dimension excluding bars	mm	1200*280*980
Net weight including bars	Kg	35

X105	CIF PRICE	TOTAL
	HK\$	HK\$
10 PCS	8,100	81,000
INSTALLATION		21,000
TRAINING		15,000
TM82-IC CAMERA FACE RECOGNITION, TEMPERATURE WITH IC CARD	7,700 X 10	77,000
TOTAL		194,000

SMART CAMERA

Model Name : TM82		Product Features
		Face recognition: fast (150ms), high accuracy (99%), large capacity (20000/50000)
		Body temperature detection: deviation $\pm 0.2^{\circ}\text{C}$, fast (1s)
		Support mask recognition
		Support stranger recognition
		Optional IC/ID card reading
		Optional QR code scanning, can scan EU/USA/CAN/UK/LT `s health code
		Attendance: PC management software "Smart Pass" can automatically calculate attendance
		With infrared camera, live scan, photo face/video face cannot pass
		Free API documentation, complete software
		Installation method: desktop version, turnstile version, wall-mounted version
		OEM/ODM, support software and hardware customization, LOGO customization
Camera	Dual Camera	200W(RGB Camera);130W(Infrared Camera)
	Type	Wide dynamic camera
	Aperture	4mm
	Focal Length	50-150cm
	White Balance	Automatic
	Wide Dynamic	Support
Interface	Network Interface	Support Ethernet, 2.4G WiFi(optional 4G module)
	Wiegand Interface	Support wegand 26/34/37, support input/output
	Serial Communication interface	RS232/RS485
	USB Interface	1 USB 2.0 + 1 USB OTG
	Relay Output	COM and NO
	HDMI Interface	Support
	Audio	2.5W /4R speaker(optinal line out)
	Reset Interface	Yes
Face Recognition	RJ45	Yes
	Face Detection	Support detecting and tracking 5 people at the same time
	Detection Type	Support liveness detection
	Face Capacity	20000(optional 50000)
	Event Capacity	More than 1000000
	Recognition Rate	99%
	Recognition Speed	$\leq 150\text{ms}$
	Recognition Distance	0.5-4m
	Stranger Detection	Support
Mask Detection	Support	
Temperature Measurement	Measurement Position	Forehead
	Measuring Distance	30 - 50cm
	Temperature Range	30-42 $^{\circ}\text{C}$
	Temperature Response	$\leq 1\text{s}$
	Measurement Accuracy	0.01 $^{\circ}\text{C}$
	Measurement Deviation	$\pm 0.2^{\circ}\text{C}$

Model Name: TM82		Specification
Core Parameter	CPU	RK3288,4 Cores,Cortex A17 1.8G(optional RK3399,6 Cores)
	RAM	2GB(optional 4GB)
	ROM	8GB(optional 16GB/32GB)
	OS	Android 7.1
Screen	Dimension	8 inches screen, full view angle, IPS LCD screen(optional 10.1/15.6/21.5 inches)
	Resolution	800 x 1280
	Contrast	800:1
	Brightness	250 cd/m2
	Touch Screen	Non-touch(optional Touch)
	Ratio	16:09

CONTACT INFORMATION:

Hornbird Technology Limited

Head Office

9/F., Amtel Building
148 Des Voeux Road Central
Central, Hong Kong

Hornbird-rtls.com

Hornbird.com

Risaldeb@hornbird.com